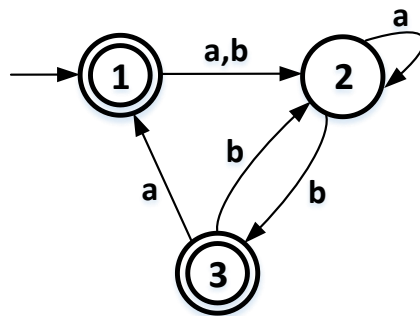


2. Write accepted language by the TM above in the $L = \{ \dots n=0,1,2,\dots \}$ format. (30P)



3. Convert FA to RE by deleting 3, 2, 1 states respectively. (30P)